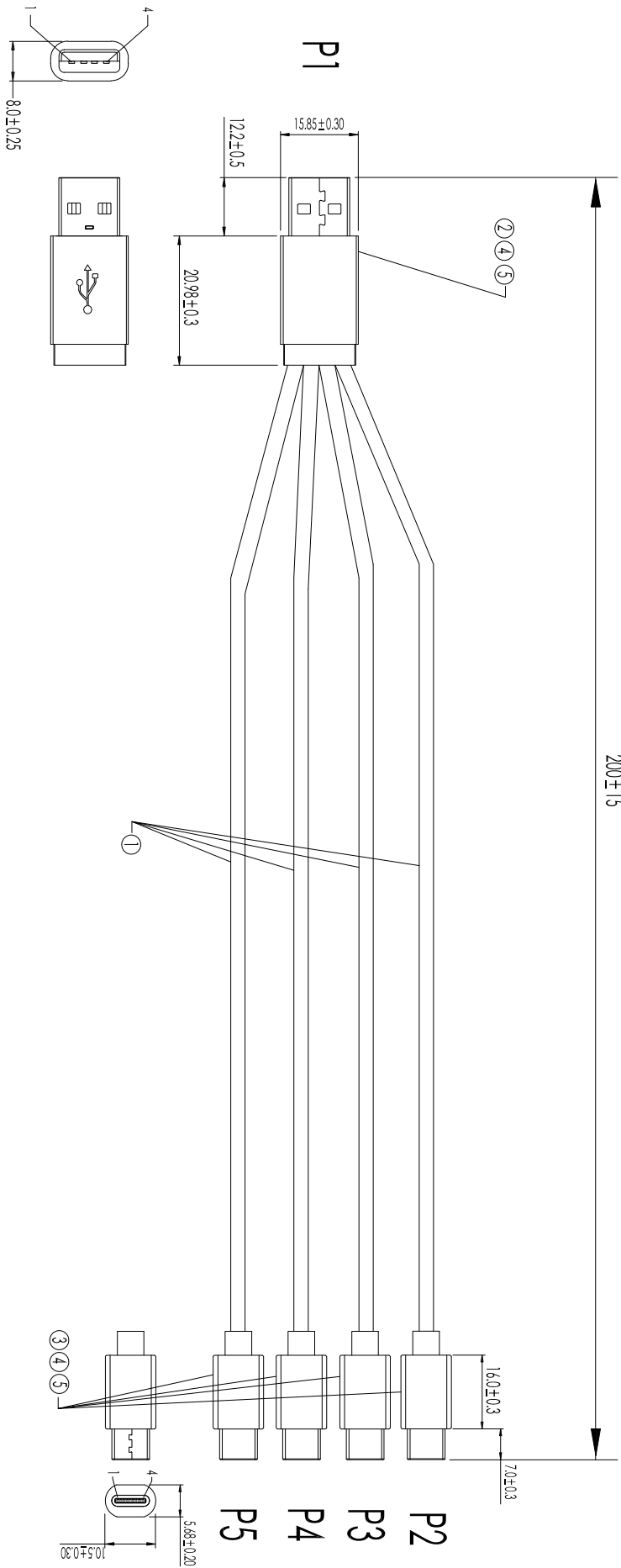
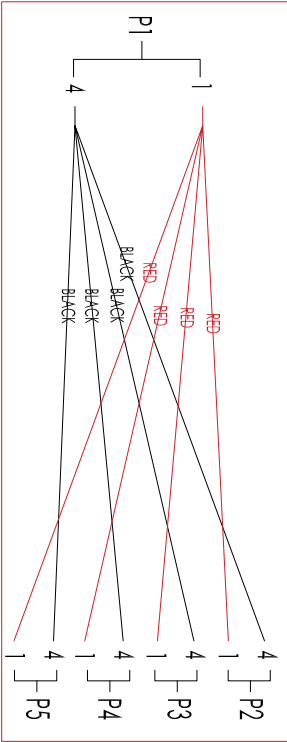


200±15



PIN ASSIGNMENT



Item	Parts Material	Specification	Qty	Note	P/N
⑤	Internal molding	HDPE	45 g		
④	Outer Molding	PVC 45P Black	65 g		
③	Connector	USB Type-C Male Riveting type/Nickel-Plating	1 PCS		
②	Connector	USB A/M White Short body	1 PCS		
①	Cable	(12/0.108C*2C)&(15/0.108C*2C), OD:3.0mm PVC Black	1 PCS		

SRCO 东莞市盛瑞科技有限公司
Dongguan Shengrui Technology Co., Ltd.

机型 Model: -
客规 Customer P/N: -
盛瑞料号 Part No: Y-102-AC-C3031-1
Environmental standard: **RoHS**
Third angle projection

核准 Approved: 12/29/22
审核 Checked:
安规 Safety:
製圖 Draw: 郑斌 12/29/22
設計 Design: Tong 12/29/22

圖名 Description: 2C Coble USB AM TO TYPE-Cx4
=0.2M

修正 Revisions

Rev.

- Tolerances -
Unless otherwise specified
公差 註明公差

XX.X : ±0.35 D:20 : ±0.5

XXX.X : ±0.20 Z06: 800 : ±10

XXXX.X : ±0.20 800: -890 : ±10

頁面 Page: 7/1 L: ±0.90 : ±20 INCORPORATED AND SHOULD NOT BE USED WITHOUT WRITTEN PERMISSION.

THIS DRAWING CONTAINS INFORMATION THAT IS PROPRIETARY TO SHENGRUI

單位 Unit:mm 比例 Scale:

12/29/22

2C Coble USB AM TO TYPE-Cx4

1. Open Short/Intermittence 100% Test

2. Insulation Resistance: 10 MΩ Min.

3. Conduction Resistance: 5 Ω Max.

4. Insulation Resistance: DC 300V.