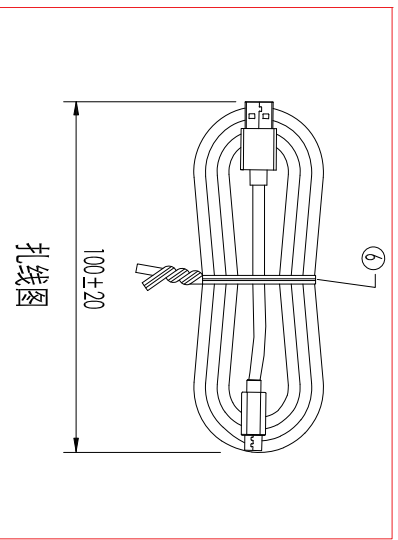


**PIN ASSIGNMENT**

P1	P2
1	4
2	3
3	2
4	1



Item	Parts Material	Specification	Qty	Note	P/N
⑥	Tie	PE tie with iron core White L=100mm	1 PCS		
⑤	Internal molding	HDPE	20 g		
④	Outer Molding	PVC 45P White	15 g		
③	Connector	USB Type-C Male Riveting type/Nickel-Plating	1 PCS		
②	Connector	USB A/M White Short body	1 PCS		
①	Cable	(11/0.168C*2C)(15/0.108C*2C), OD:3.0mm PVC White	1 PCS		

**Test Conditions:**

1. Open/Short/Intermittence 100% Test.
2. Insulation Resistance: 10 MΩ Min.
3. Conduction Resistance: 5 Ω Max.
4. Insulation Resistance: DC 300V.

Rev. 修正: Revisions

Unless otherwise specified



**东莞市盛瑞科技有限公司**  
Dongguan Shengrui Technology Co., Ltd.

TEL: 86-769-8216714/87988775 MAIL: srco@dsrco.com

THIS DRAWING CONTAINS INFORMATION THAT IS PROPRIETARY TO SHENGRUI TECHNOLOGY CO., LTD. AND SHOULD NOT BE USED WITHOUT WRITTEN PERMISSION.

機型 Model

客號 Customer P/N

盛瑞料號 Part No.

Environmental standard

單位 Unit:mm 比例 Scale

Specification

Y-102-AC-3032-1

RoHS

Third angle projection

Third angle projection

核准 Approved

審核 Checked

安規 Safety

製圖 Draw

設計 Design

日期 Date

12/29/22

12/29/22

12/29/22

12/29/22

圖名 Description:

USB A/M TO TYPE-C 2C USB Cable

1:1M