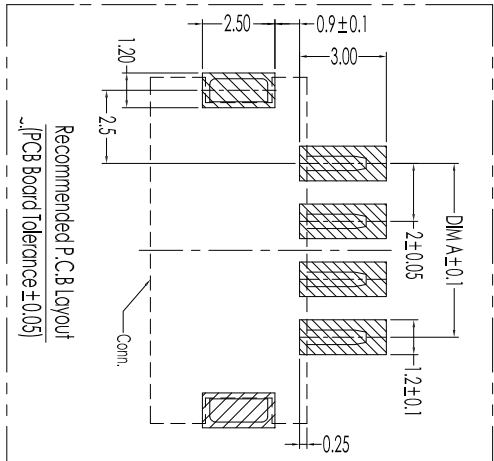
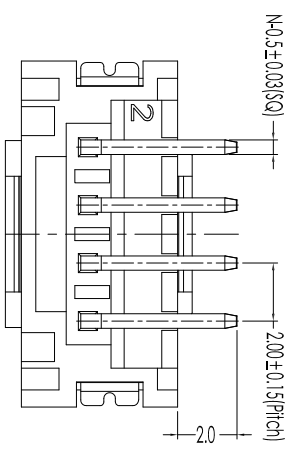
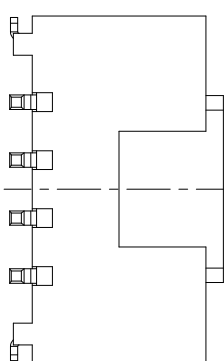
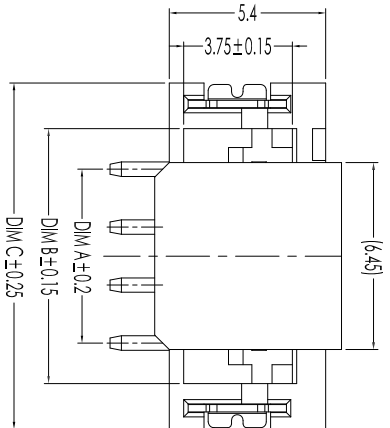
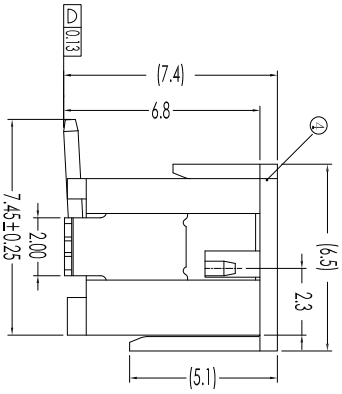
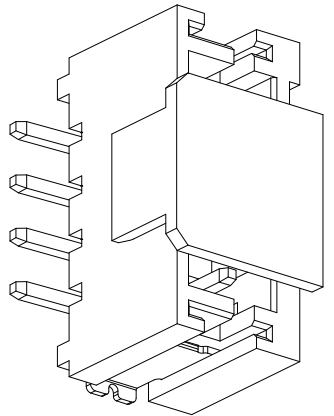


CCT5	DMA	DMB	DMC
02	2.00	4.80	7.95
03	4.00	4.80	9.95
04	6.00	8.80	11.95
05	8.00	10.80	13.95
06	10.00	12.80	15.95
07	12.00	14.80	17.95
08	14.00	16.80	19.95
09	16.00	18.80	21.95
10	18.00	20.80	23.95
11	20.00	22.80	25.95
12	22.00	24.80	27.95
13	24.00	26.80	29.95
14	26.00	28.80	31.95
15	28.00	30.80	33.95
16	30.00	32.80	35.95
17	32.00	34.80	37.95
18	34.00	36.80	39.95
19	36.00	38.80	41.95
20	38.00	40.80	43.95



Item	Parts Material	Specification	Qty	Note
③	Solder Tabs	Boss: Ni20U"-40U", Sn50U"-80U"	×	A20001-TTAB-303
②	Pin Material	Boss: Ni20U"-40U", Sn50U"-80U" or Au1U"	×	A20001-TPIN-302
①	Insulator	LCP(U94K0) Color: Natural(Beige)	×	A20001-CHSG-301

**SRCO**  
 东莞市盛瑞科技有限公司  
 Dongguan Shengrui Technology Co., Ltd.  
 TEL: 86-769-8216714/6/87988775 MAIL: srco@dsrco.com

THIS DRAWING CONTAINS INFORMATION THAT IS PROPRIETARY TO SHENGRUI INCORPORATED AND SHOULD NOT BE USED WITHOUT WRITTEN PERMISSION.

Model	Customer P/N	Part No.	Standard	RoHS	Third angle projection	Scale	Page
-	-	-	A-20001 CxS-IPBT-LH-X	RoHS	☑	1/1	1/1

Approval	Date	Signature	Check	Date	Signature
核准	07/21/20	谭	审核	07/21/20	郑
安规			安全		
制图			绘图		

圖名 Description: Pitch 2.00mm(PH2.0) Cimp Style Connector

**NOTES:**

1. Current Rating: 20A AC/DC
2. Voltage Rating: 100V AC/DC
3. Temperature Range: -25° C to 85° C
4. Contact Resistance: 20mΩ Max.
5. Insulation Resistance: 1000MΩ min.
6. Withstanding Voltage: 1000V AC/minute

A - 200 01 C xx S - LP B T - L H - X

- ① A=Board to Wire Connector
- ② 200=Pitch 2.00mm
- ③ 01=PH2.0 Style Series
- ④ C=Connector/H=Housing/T=Terminal
- ⑤ XX=No. of Contacts
- ⑥ S=Single Row/D=Dual Row/A=Assembly
- ⑦ PT=PB/T/66= Nylon 66/46= Nylon 46/6T= Nylon 6T/9T= Nylon 9T/LP=LCP/PS=PPS
- ⑧ C=Copper Alloy/B=Brass/P=Phosphor Bronze/H=High conductivity copper
- ⑨ Plating: 0=None/1=In Bright/G=Gold Flash Plating/I=In Matte I/2=3u" Gold/3=5u" Gold/4=10u" Gold/5=15u" Gold/6=20u" Gold/7=30u" Gold/8=Nickel Plating/9=Silver Plating/H=Half of Gold Tin
- ⑩ V=Vertical Dip Type/R=Right Angle Dip Type/L=Vertical SMT Type/W=Right Angle SMT Type/S=Special P.C.B. Module
- ⑪ 0=Standard/1=1 Type/2=2 Type/3=3 Type/H=H Type
- ⑫ Packaging: 1=PE bag/2=tube/3=tape Reel/7=PPVC Tray/8=Tube+CAP

Rev.	修正 Revisions	日期
A.01	A200H-AWB-WT	Tony 2009/07/15
B.01	变更料号	Tony 2020/07/21

Unless otherwise specified

Tolerances - 公差  
 XX.XX ±0.25  
 XXXX ±0.15  
 XXXX ±0.05  
 XXX ±0.2°

Model	Customer P/N	Part No.	Standard	RoHS	Third angle projection	Scale	Page
-	-	-	A-20001 CxS-IPBT-LH-X	RoHS	☑	1/1	1/1

圖名 Description: Pitch 2.00mm(PH2.0) Cimp Style Connector