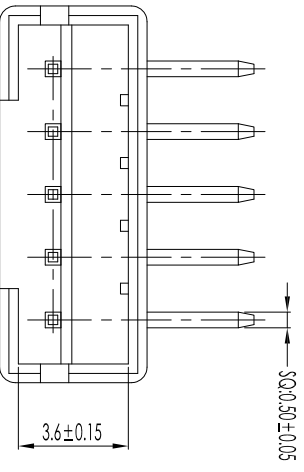
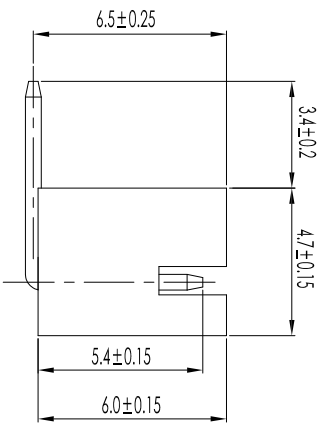
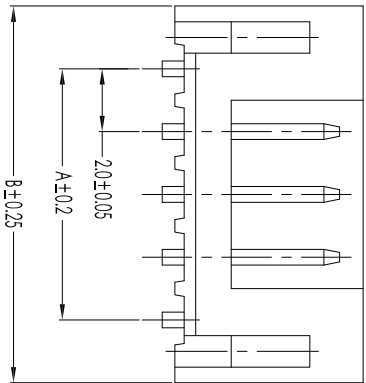


CCT5	DMA	DM18	
02	2.00	6.00	
03	4.00	8.00	
04	6.00	10.00	
05	8.00	12.00	
06	10.00	14.00	
07	12.00	16.00	
08	14.00	18.00	
09	16.00	20.00	
10	18.00	22.00	
11	20.00	24.00	
12	22.00	26.00	
13	24.00	28.00	
14	26.00	30.00	
15	28.00	32.00	
16	30.00	34.00	
17	32.00	36.00	
18	34.00	38.00	
19	36.00	40.00	
20	38.00	42.00	



- NOTES:
1. Current Rating: 20A AC/DC
 2. Voltage Rating: 250V AC/DC
 3. Temperature Range: -25° C to 85° C
 4. Contact Resistance: 20mΩ Max.
 5. Insulation Resistance: 800MΩ min.
 6. Withstanding Voltage: 800V AC/minute

- A - 200 01 C xx S - 66 B T - R C - x
- ① ②③④⑤⑥ ⑦⑧⑨ ⑩⑪ ⑫
- ① A=Board to Wire Connector
 - ② 200=Pitch 2.00mm
 - ③ 01=PH2.0 Style Series
 - ④ C=Connector/H=Housing/T=Terminal
 - ⑤ XX=No.of Contacts
 - ⑥ S=Single Row/D=Dual Row/A=Assembly
 - ⑦ PT=PBT/66= NYLON 66/46= NYLON 46/
6T= NYLON 6T/9T= NYLON 9T/LP=LCP/PS=PSS
C=Copper Alloy/B=Brass/P=Phosphor Bronze/H=High conductivity copper
 - ⑧ Plating:0=None/T=In Bright/G=Gold Flash Plating/I=In Matte
/2=3u" Gold/3=5u" Gold/4=10" Gold/5=15u" Gold/6=20u" Gold/
7=30u" Gold/8=Nickel Plating/9=Silver Plating/H=Half of Gold Tin
 - ⑩ V=Vertical Dip Type/R=Right Angle Dip Type/L=Vertical SMT
Type/W=Right Angle SMT Type/S=Special P.C.B Module
 - ⑪ 0=Standard/1=1 Type/2=2 Type/3=3 Type/C=C Type
 - ⑫ Packaging: 1=PE bag/2=tube/3=tape Reel/7=PVC Tray/
8=Tube+CAP

Item	Parts Material	Specification	Qty	Note	P/N
②	PIN Material	Brass(H62)/Tin-Plating	×		A20001-TPIN-302
①	Insulator	PA66/ Color: Natural(Beige)	×		A20001-CHSG-301

Rev.	修正 Revisions	
A.01	A2001-1A-RT.CM	Tony 2009/07/15
B.01	变更料号	Tony 2020/07/21

SRCO 东莞市盛瑞科技有限公司
Dongguan Shengrui Technology Co., Ltd.

TEL: 86-769-82167146/87988875 MAIL: src@qdsrco.com

THIS DRAWING CONTAINS INFORMATION THAT IS PROPRIETARY TO SHENGRUI INCORPORATED AND SHOULD NOT BE USED WITHOUT WRITTEN PERMISSION.

機型 Model	-	核准 Approved	Tian	07/21/20	圖名 Description:
客號 Customer P/N	-	審核 Checked	郑昊	07/21/20	pitch 2.00mm(PH2.0) Cimp Style
盛瑞料號 Part No.	A-20001	安規 Safety	Tong	07/21/20	Connector
Environmental standard	RoHS	製圖 Drawn			
單位 Unit:mm	比例 Scale: 1/1	頁碼 Page	1/1		