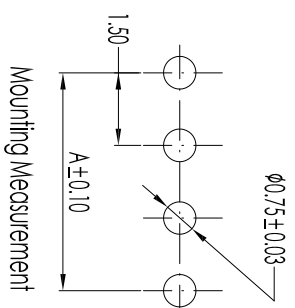
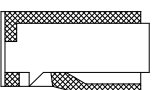
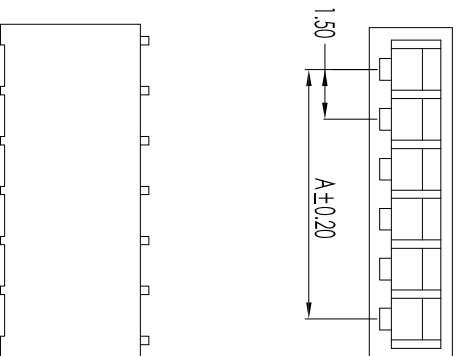
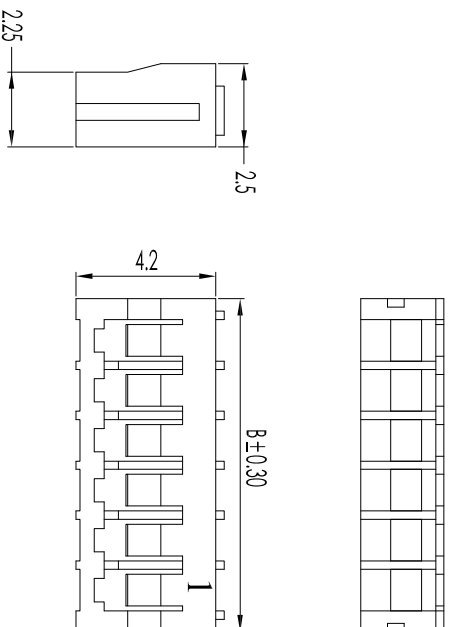


CTS	DMA	DM8
02	1.50	4.00
03	3.00	5.80
04	4.50	7.00
05	6.00	8.80
06	7.50	10.00
07	9.00	11.50
08	10.50	13.00
09	12.00	14.50
10	13.50	16.00
11	15.00	17.50
12	16.50	19.00
13	18.00	20.50
14	19.50	22.00
15	21.00	23.50
16	22.50	25.00
17	24.00	26.50
18	25.50	28.00
19	27.00	29.50
20	28.50	31.00



Mounting Measurement

- NOTES:
1. Current Rating: 1A AC/DC
 2. Voltage Rating: 50V AC/DC
 3. Temperature Range: -25° C to 85° C
 4. Contact Resistance: 20mΩ Max.
 - After environmental testing: 40mΩ Max.
 5. Insulation Resistance: 500MΩ min.
 6. Withstanding Voltage: 500V AC/minute

- A - 150 04 H xx S - 66 - V - 1
- ① ② ③ ④ ⑤ ⑥ ⑦ ⑧ ⑨
- ① A=Board to Wire Connector
 - ② 150=Pitch 1.50mm
 - ③ 04=04(S2V) Type Series
 - ④ C=Connector/H=Housing/T=Terminal
 - ⑤ xx=No. of Contacts
 - ⑥ 0=Standard/M= Male/F=Female
 - ⑦ S=Single Row Type/D= Dual Row Type
 - ⑧ PT =PBT/66= Nylon 66/46= Nylon 46/6T = Nylon 6T/9T = Nylon 9T/LP=LCP/PS=PPS
 - ⑨ 0=General(通常一般物)/Z=Latch Type/M=Male type/F=Female Type/V=Vertical Dip Type
 - ⑩ 1=PE Bag Packing

Item	Parts Material	Specification	Qty	Note
①	Insulator	Nylon 66(U94V0/Color: Natural/White)	✕	A15002-HSG-66

SRCO 东莞市盛瑞科技有限公司
Dongguan Shengrui Technology Co., Ltd.

修正: Revisions
A.01 A1501WRS-S1-XP Tony 2015/06/13
B.01 变更料号 Tony 2020/07/21

Unless otherwise specified
公差
连铸器公差 注射公差
XX : ±0.25 D:200 : ±5
XXX : ±0.15 200-800 : ±10
X : ±0.05 800-490 : ±20
Y : ±3° L : ±4.90 : ±30

TEL: 86-769-8216714/87988775 MAIL: src@qdsrco.com

机型 Model -
客號 Customer P/N -
盛瑞料號 Part No. A-15004HMS-66-V-1
Environmental standard
RoHS

核准 Approved: Ian 05/13/20
審核 Checked: 郑良 05/13/20
安規 Safety
製圖 Draw: Tong 05/13/20
頁碼 Page: 1/1

圖名 Description:
Pitch 1.50mm(S2V) Crimp Style
Housing Latch Type

THIS DRAWING CONTAINS INFORMATION THAT IS PROPRIETARY TO SHENGRUI INCORPORATED AND SHOULD NOT BE USED WITHOUT WRITTEN PERMISSION.

東莞市盛瑞科技有限公司
Dongguan Shengrui Technology Co., Ltd.
MAIL: src@qdsrco.com