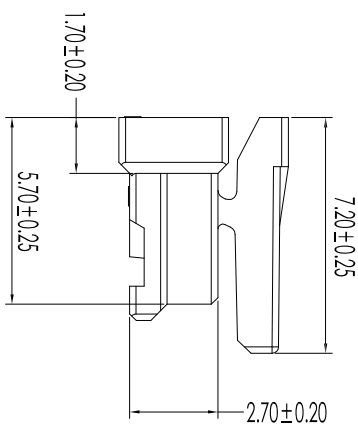
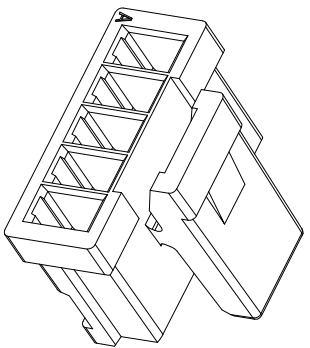
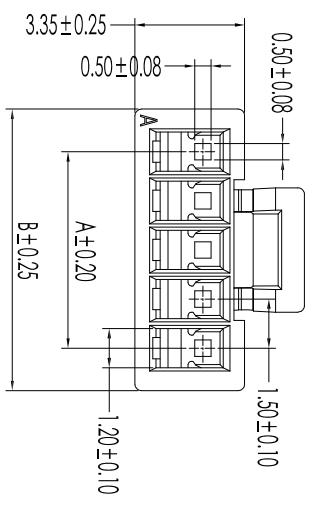
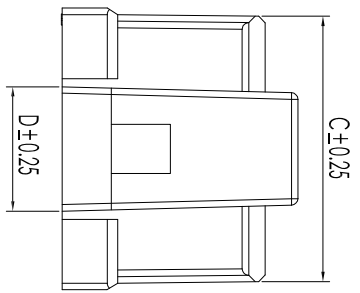
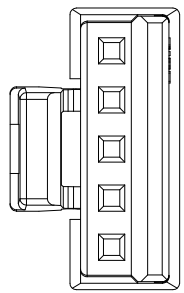


CRS	DM A	DM B	DM C	DM D
02	1.50	4.10	3.60	2.40
03	3.00	5.60	5.10	2.40
04	4.50	7.10	6.60	3.80
05	6.00	8.60	8.10	3.80
06	7.50	10.10	9.60	3.80
07	9.00	11.60	10.10	3.80
08	10.50	13.10	12.60	5.80
09	12.00	14.60	14.10	5.80
10	13.50	16.10	15.60	5.80
11	15.00	17.60	17.10	5.80
12	16.50	19.10	18.60	5.80
13	18.00	20.60	20.10	5.80
14	19.50	22.10	21.60	5.80
15	21.00	23.60	23.10	5.80



- NOTES:
1. Current Rating: 30A AC/DC
  2. Voltage Rating: 350V AC/DC
  3. Temperature Range: -25° C to 85° C
  4. Contact Resistance: 20mΩ Max.
- After environmental testing: 40mΩ Max.
5. Insulation Resistance: 500MΩ min.
  6. Withstanding Voltage: 500V AC/minute

- A - 150 02 H xx S - 66 - 2 - 1
- ① ② ③ ④ ⑤ ⑥ ⑦ ⑧ ⑨
- ① A=Board to Wire Connector
  - ② 150=Pitch 1.50mm
  - ③ 02=02(MMX) Type Series
  - ④ C=Connector/H=Housing/T=Terminal
  - ⑤ xx=No. of Contacts
  - ⑥ 0=Standard/M= Male/F=Female
  - ⑦ S=Single Row Type/D=Dual Row Type
  - ⑧ PT=PB/66= Nylon 66/46= Nylon 46/  
6T= Nylon 6T/9T= Nylon 9T/LP=LCP/PS=PPS
  - ⑨ 0=General(通常一般用)/2=Latch Type/M=Male type/F=Female Type
  - ⑩ 1=PE Bag Packing

Item	Parts Material	Specification	Qty	Note	P/N
①	Insulator	Nylon 66(U94V0/ Color: Natural/White)	✕		A15002-HSG-66

Rev.	修正 Revisions	Tony
A.01	A1501WRS-S1-XP	Tony 2015/06/13
B.01	变更料号	Tony 2020/07/21

- Tolerances -  
Unless otherwise specified

公差  
公差  
公差  
公差

XX : ±0.25 D: 200 : ±0.5  
XXX : ±0.15 200-800 : ±0.2  
XXX : ±0.05 800-490 : ±0.2  
X : ±3° L : ±0.90 : ±0.20

THIS DRAWING CONTAINS INFORMATION THAT IS PROPRIETARY TO SHENGRUI INCORPORATED AND SHOULD NOT BE USED WITHOUT WRITTEN PERMISSION.

**SRCO** 东莞市盛瑞科技有限公司  
Dongguan Shengrui Technology Co., Ltd.  
TEL: 86-769-8216714/87988875 MAIL: srco@dsrco.com

機型 Model	客號 Customer P/N	盛瑞料號 Part No.	核准 Approved Tian	日期 Date	圖名 Description:
-	-	A-15002HSG-66-2-1	審核 Checked	05/13/20	Pitch 1.50mm(MMX) Crimp Style
Environmental standard	RHHS	Third angle projection	製圖 Drawn	Tong 05/13/20	Housing Latch Type
單位 Unit:mm	比例 Scale	頁碼 Page	1/1		