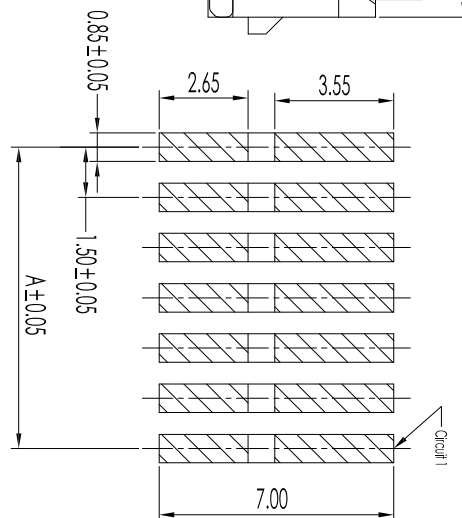
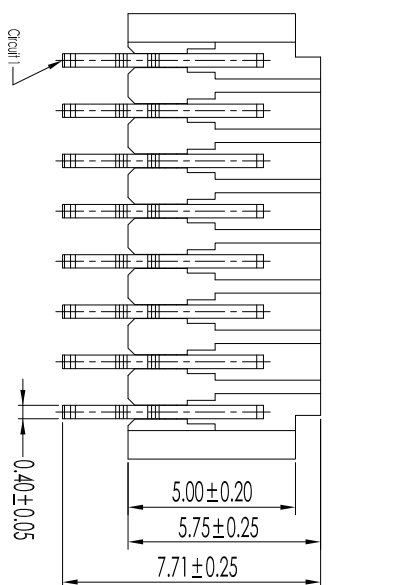
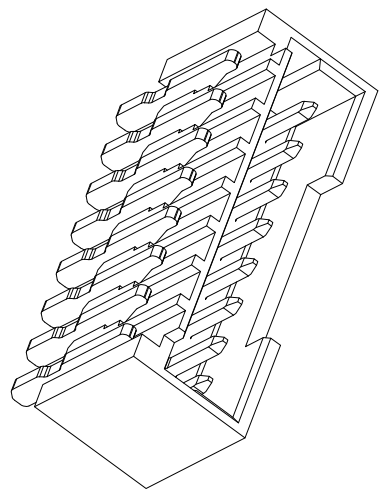
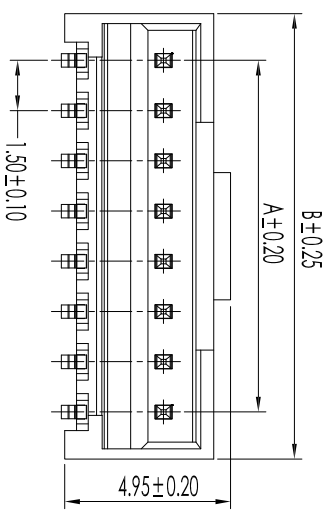


CCTS	DMVA	DMVB
02	1.50	4.30
03	3.00	5.80
04	4.50	7.30
05	6.00	8.80
06	7.50	10.30
07	9.00	11.80
08	10.50	13.30
09	12.00	14.80
10	13.50	16.30
11	15.00	17.80



Recommended P.C.B Layout  
(PCB Board Tolerance ±0.05)

- NOTES:
1. Current Rating: 3.0A AC/DC
  2. Voltage Rating: 350V AC/DC
  3. Temperature Range: -25° C to 85° C
  4. Contact Resistance: 20mΩ max.
  5. Insulation Resistance: 1000mΩ min.
  6. Withstanding Voltage: 500V AC/minute
- A - 150 02 C XX S - XX B X - W 2 - X  
 ① ② ③ ④ ⑤ ⑥ ⑦ ⑧ ⑨ ⑩ ⑪ ⑫
- ① A=Board to Wire Connector
  - ② 150=Pitch 1.50mm
  - ③ 02=MX 1.50mm Type Series
  - ④ C=Connector/H=Housing/T=Terminal
  - ⑤ XX=No. of Contacts
  - ⑥ S=Single Row/D=Dual Row/A=Assembly
  - ⑦ PT=PBT/66= Nylon 66/46= Nylon 46/6T= Nylon 6T/9T= Nylon 9T/L=P=LC/PS=PPS
  - ⑧ C=Copper Alloy/B=Brass/P=Phosphor Bronze/H=High conductivity copper
  - ⑨ Plating=0=None/1=Tin Bright/G=Gold Flash Plating/2=Thin Matte /2=3u" Gold/3=5u" Gold/4=10u" Gold/5=15u" Gold/6=20u" Gold/7=30u" Gold/8=Nickel Plating/9=Silver Plating/H=Half of Gold Tin Type/W=Right Angle SMT Type/S=Special P.C.B. Mode
  - ⑩ V=Vertical Dip Type/R=Right Angle Dip Type/L=Vertical SMT Type/W=Right Angle SMT Type/S=Special P.C.B. Mode
  - ⑪ 2=With Latch Type
  - ⑫ Packaging: 1=PE bag/2=Tube/3=Tray/4=Carrier/5=Tray/6=Carrier/7=Tray/8=Tube+CAP

Item	Parts Material	Specification	Qty	Note	P/N
①	Insulator	Nylon(CP,UL94V-0) / Color: Natural(Beige)	×	A15002-CH5G-701	
②	PIN Material	Boss/ Tin over Nickel	×	A15002-T19N-702	

Rev.	Revisions	修正	Revisions
A.01	新建料号	Tony	2021/10/17

- Tolerances - Unless otherwise specified		公差	
XX :	±0.25	0.20	±0.5
XXX :	±0.15	0.10	±0.3
XXXX :	±0.05	0.05	±0.1
X° :	±2°	±1.0	±0.5

THIS DRAWING CONTAINS INFORMATION THAT IS PROPRIETARY TO SHENGRUI INCORPORATED AND SHOULD NOT BE USED WITHOUT WRITTEN PERMISSION.

**SRCO** 东莞市盛瑞科技有限公司  
Dongguan Shengrui Technology Co., Ltd.

TEL: 86-769-8276714/6/87988875 MAIL: srco@dsrco.com

机型 Model	-	核准 Approved	ina	10/17/21	圖名 Description:
客號 Customer P/N	-	審核 Checked	郑良	10/15/21	Pitch 1.50mm MX Crimp Style
盛瑞料號 Part No.	A-15002CAs-xxBx-W2-x	安規 Safety	Tong	10/15/21	Right Angle SMT Connector
Environmental standard	ROHS	製圖 Drawn	Tong	10/15/21	
單位 Unit:mm	比例 Scale	頁碼 Page	1/1		