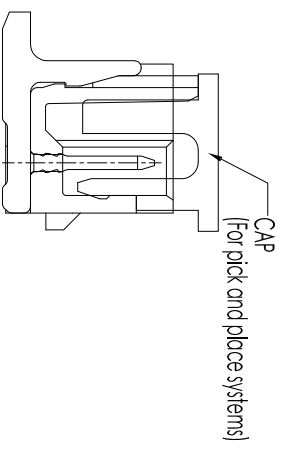
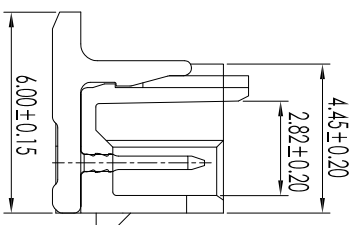
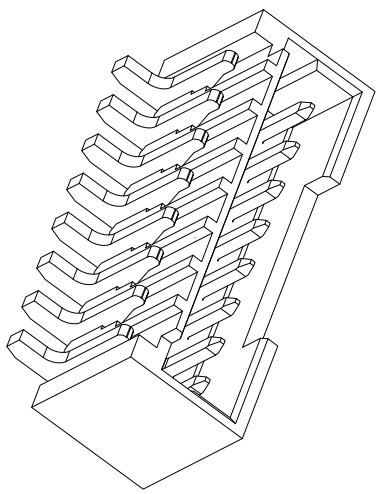
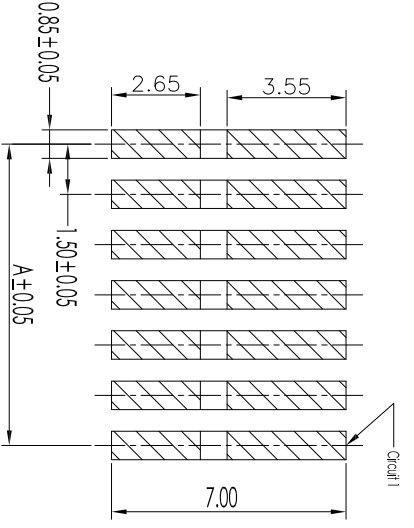
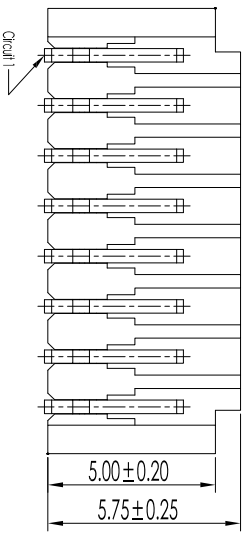
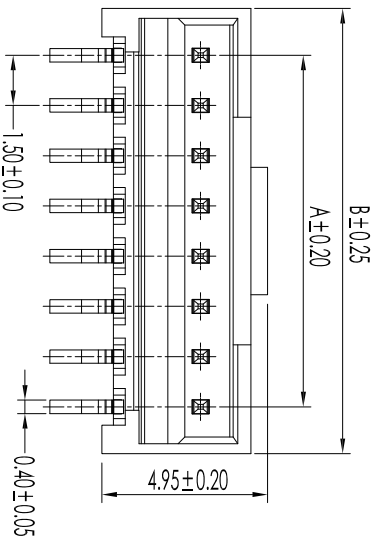


CITS	DMVA	DMVB
02	1.50	4.30
03	3.00	5.80
04	4.50	7.30
05	6.00	8.80
06	7.50	10.30
07	9.00	11.80
08	10.50	13.30
09	12.00	14.80
10	13.50	16.30
11	15.00	17.80



Recommended P.C.B Layout  
(PCB Board Tolerance ±0.05)

Item	Parts Material	Specification	Qty	Note	P/N
②	PIN Material Boss/ Tin over Nickel		×		A15002-T19N-702
①	Insulator Nylon/PC/JUL94V-0/ Color: Natural(Belge)		×		A15002-CH5G-701

**SRCO** 东莞市盛瑞科技有限公司  
Dongguan Shengrui Technology Co., Ltd.

TEL: 86-769-82767146/87988875 MAIL: srco@dsrco.com

机型 Model  
客规 Customer P/N  
盛瑞料號 Part No.  
A-15002CWS-xxBx-L2-X

Environmental standard  
ROHS  
Third angle projection

核准 Approved Ina 10/17/21  
審核 Checked 郑良 10/15/21  
安規 Safety  
製圖 Draw Tong 10/15/21

圖名 Description:  
Pitch 1.50mm MX Crimp Style  
Vertical SMT Connector

Rev.	修正 Revisions
A.01	新建料号 Ton: 2021/10/17

Tolerances -  
Unless otherwise specified

公差  
X.X : ±0.25  
X.XX : ±0.15  
X.XXX : ±0.05  
X.° : ±2°

THIS DRAWING CONTAINS INFORMATION THAT IS PROPRIETARY TO SHENGRUI TECHNOLOGY CO., LTD. AND SHOULD NOT BE USED WITHOUT WRITTEN PERMISSION.

單位 Unit:mm  
比例 Scale  
頁碼 Page 1/1

Vertical SMT Connector

NOTES:

1. Current Rating: 3.0A AC/DC
  2. Voltage Rating: 350V AC/DC
  3. Temperature Range: -25° C to 85° C
  4. Contact Resistance: 20mΩ max.
  5. Insulation Resistance: 1000mΩ min.
  6. Withstanding Voltage: 500V AC/minute
- A - 150 02 C xx S - xx B x - L 2 - x
- ① A=Board to Wire Connector
  - ② 150=Pitch 1.50mm
  - ③ 02=MX 1.50mm Type Series
  - ④ C=Connector/H=Housing/T=Terminal
  - ⑤ XX=No. of Contacts
  - ⑥ S=Single Row/D=Dual Row/A=Assembly
  - ⑦ PT=PBT/66= Nylon 66/46= Nylon 46/6T= Nylon 6T/9T= Nylon 9T/L=P=LC/PS=PPS
  - ⑧ C=Copper Alloy/B=Boss/P=Phosphor Bronze/H=High conductivity copper
  - ⑨ Plating: 0=None/T=Tin Bright/G=Gold Flash Plating/I=Tin Matte/2=3u" Gold/3=5u" Gold/4=10u" Gold/5=15u" Gold/6=20u" Gold/7=30u" Gold/8=Nickel Plating/9=Silver Plating/H=Half of Gold Tin
  - ⑩ V=Vertical Dip Type/R=Right Angle Dip Type/L=Vertical SMT Type/W=Right Angle SMT Type/S=Special P.C.B. Mode
  - ⑪ 2=With Latch Type
  - ⑫ Packaging: 1=PE bag/2=Tube/3=Tape Reel/=PVC Tray/8=Tube+CAP