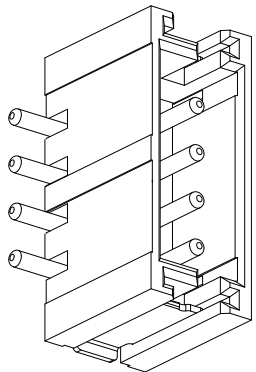
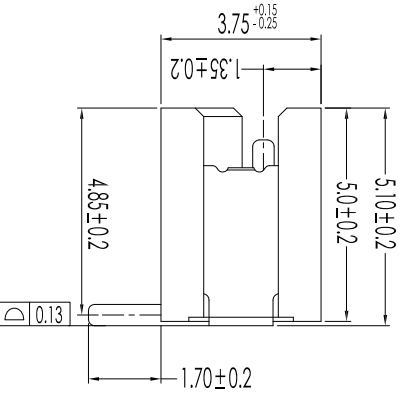
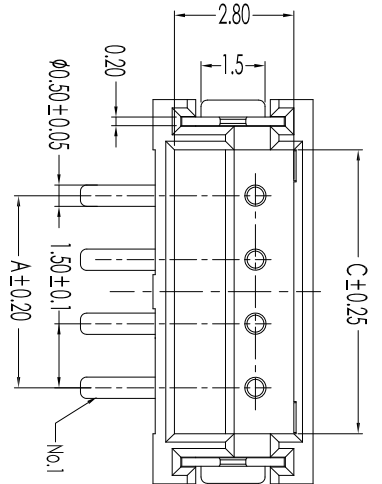
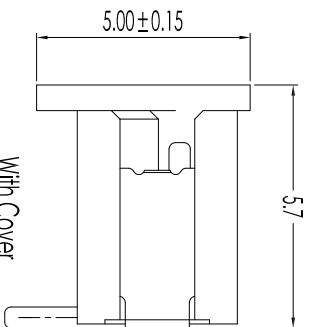
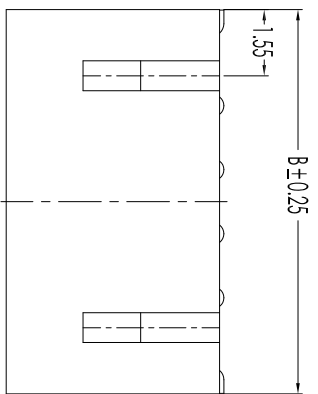
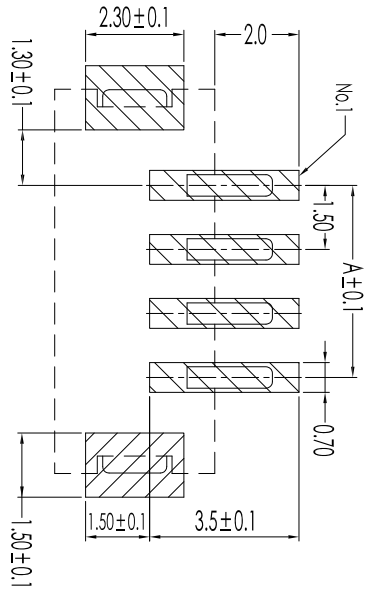


CTS	DMA	DMB	DMC
02	1.50	6.00	3.65
03	3.00	7.50	5.15
04	4.50	9.00	6.65
05	6.00	10.50	8.15
06	7.50	12.00	9.65
07	9.00	13.50	11.15
08	10.50	15.00	12.65
09	12.00	16.50	14.15
10	13.50	18.00	15.65
11	15.00	19.50	17.15
12	16.50	21.00	18.65
13	18.00	22.50	20.15
14	19.50	24.00	21.65
15	21.00	25.50	23.15
16	22.50	27.00	24.65
17	24.00	28.50	26.15
18	25.50	30.00	27.65
19	27.00	31.50	29.15
20	28.50	33.00	30.65



Recommended P.C.B Layout
(PCB Board Tolerance ±0.05)



Item	Parts Material	Specification	Qty	Note	P/N
④	CAP Material	Nylon/CP J1194V-Q / Color: Natural	×	A15001-CCAP-107	
③	Solder Tab	Boss C2680/ Tin 100U" Min. over Ni 50U" Min.	×	A15001-TSAB-106	
②	PIN Material	Boss C2680/ Tin 100U" Min. over Ni 50U" Min.	×	A15001-TPIN-105	
①	Insulator	Nylon/CP J1194V-Q / Color: Natural	×	A15001-CHRS-105	

- NOTES:
- Current Rating: 1.0A AC/DC
 - Voltage Rating: 100V AC/DC
 - Temperature Range: -25° C to 85° C
 - Contact Resistance: 40mΩ max.
 - Insulation Resistance: 500mΩ min.
 - Withstanding Voltage: 500V AC/minute.
 - Pin Retention Force: 10N Min.
- A - 150 01 C xx S - xx B x - L H - X
 ① ② ③ ④ ⑤ ⑥ ⑦ ⑧ ⑨ ⑩ ⑪ ⑫
- A=Board to Wire Connector
 - 150=Pitch 1.50mm
 - 01=ZH 1.50mm Type Series
 - C=Connector/H=Housing/T=Terminal
 - XX=No.of Contacts
 - S=Single Row/D=Dual Row/A=Assembly
 - PT=PBT/66=NYLON 66/46=NYLON 46/6T=NYLON 6T/9T=NYLON 9T/L=P=LC/PS=PPS
 - C=Copper Alloy/B=Brass/P=Phosphor Bronze/H=High conductivity copper
 - Plating 0=None/T=In Bright/G=Gold Flash Plating/I=In Matte I/2=3U" Gold/S=5U" Gold/A=10U" Gold/F=5=15U" Gold/6=20U" Gold/7=30U" Gold/8=Nickel Plating/S=Silver Plating/H=Hot of Gold Tin
 - V=Vertical Dip Type/R=Right Angle Dip Type/L=Vertical SMT Type/M=Right Angle SMT Type/S=Special P.C.B Model
 - H=Model H Type
 - Packaging: 1=PE bag/2=tube/3=Tray/4=Tray/5=Tray/6=Tray/7=Tray/8=Tray/9=Tray/10=Tray/11=Tray/12=Tray/13=Tray/14=Tray/15=Tray/16=Tray/17=Tray/18=Tray/19=Tray/20=Tray

Rev.

修正 Revisions

Tolerances - Unless otherwise specified



东莞市盛瑞科技有限公司
Dongguan Shengrui Technology Co., Ltd.

模型 Model
客號 Customer P/N
盛瑞科號 Part No.
A-15001 CWS-xxBx-LH-XEnvironmental standard
RoHS

核准 Approved Tina 05/15/21
審核 Checked 郑晨 05/13/20
安規 Safety
製圖 Draw Tong 05/13/20
頁碼 Page 1/1

圖名 Description:
Pitch 1.50mm ZH Cimp Style
Vertical SMT Connector

THIS DRAWING CONTAINS INFORMATION THAT IS PROPRIETARY TO SHENGRUI TECHNOLOGY CO., LTD. AND SHOULD NOT BE USED WITHOUT WRITTEN PERMISSION.

單位 Unit: mm 比例 Scale: 1:1頁碼 Page 1/1

TEL: 86-769-82767146/87988875
MAIL: srco@dsrco.com

Vertical SMT Connector