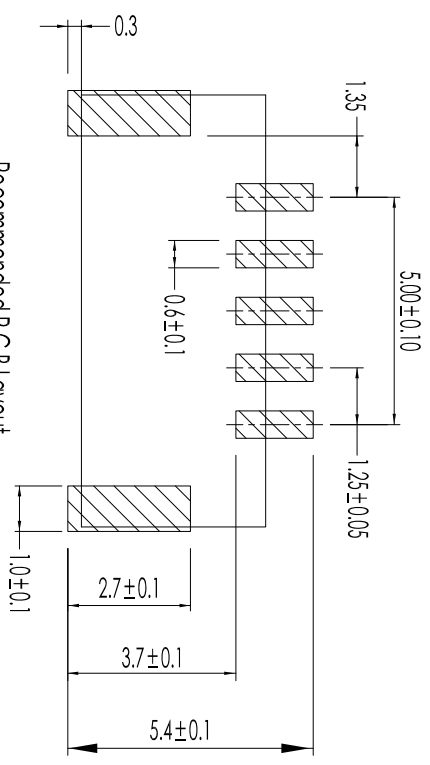
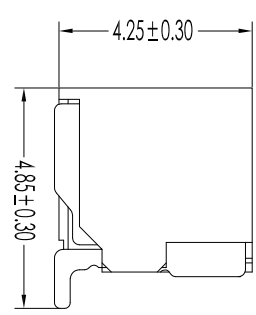
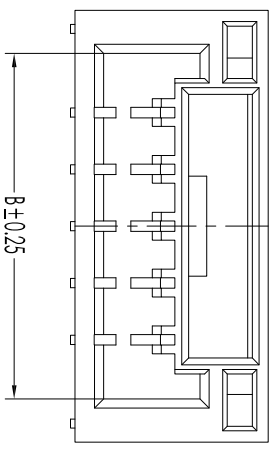
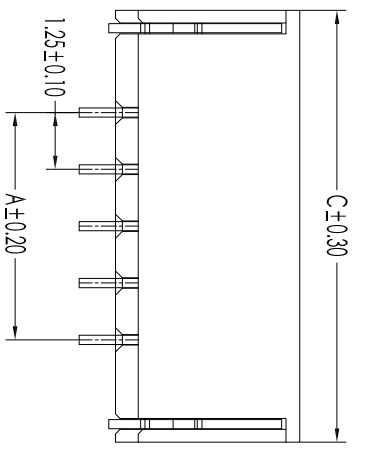


CCS	DMA	DM8	DMC
02	1.25	3.80	5.75
03	2.50	5.15	7.00
04	3.75	6.35	8.25
05	5.00	7.40	9.50
06	6.25	8.85	10.75
07	7.50	10.10	12.00
08	8.75	11.35	13.25
09	10.00	12.60	14.50
10	11.25	13.85	15.75
11	12.50	15.10	17.00
12	13.75	16.35	18.25
13	15.00	17.60	19.50
14	16.25	18.85	20.75
15	17.50	20.10	22.00
16	19.00	21.35	23.25



Recommended P.C.B Layout
 (PCB Board Tolerance ±0.05)

Item	Parts Material	Specification	Qty	Note	P/N
③	Solder Tabs	Boss/ Tin over Nickel	×		A12505-CST5-703
②	Pin Material	Phosphor Bronze/ Tin over Nickel	×		A12505-CTES-702
①	Insulator	Nylon 9T(LCP)UJ94V-0 / Color: Natural(Beige)	×		A12505-CHSS-701

- NOTES:
- Current Rating: 1.0A AC/DC
 - Voltage Rating: 50V AC/DC
 - Temperature Range: -25° C to 85° C
 - Contact Resistance: 30mΩ max.
 - Insulation Resistance: 500mΩ min.
 - Withstanding Voltage: 500V AC/minute
- A - 125 05 C xx S - xx P x - W Y - x
- ① A=Board to Wire Connector
 ② 125=Pitch 1.25mm
 ③ 05=GH 1.25mm Type Series
 ④ C=Connector/H=Housing/I=Terminal
 ⑤ XX= No.of Contacts
 ⑥ S=Single Row/D=Dual Row/A=Assembly
 ⑦ PT=PT/66= Nylon 66/46= Nylon 46/
 ⑧ 6T= Nylon 6T/9T= Nylon 9T/1P=LCP/PS=PPS
 ⑨ C=Copper Alloy/B=Boss/P=Phosphor Bronze/H=High conductivity copper
 ⑩ Plating=0=None/T=In Bright/C=Gold Flash Plating/I=In Matte /Z=30" Gold/3=50" Gold/4=100" Gold/5=150" Gold/6=200" Gold/7=300" Gold/8=Nickel Plating/S=Silver Plating/H=Half of Gold Tin
 ⑪ V=Vertical Dip type/R=Right Angle Dip type/L=Vertical SMT Type/W=Right Angle SMT Type/S=Special P.C.B Mode
 ⑫ Y=Model Y Type
 ⑬ Packaging: 1=PE bag/2=tube/3=Tape Reel/7=PVC Tray/8=Tube-CAP

Rev.	修正 Revisions	公差 Tolerances- Unless otherwise specified	东莞市盛瑞科技有限公司 Dongguan Shengrui Technology Co., Ltd.	
A.01	SR1250WR-S-XP首次发行 Tony 2010/07/15	公差 XX : ±0.25 XXX : ±0.15 X.XX : ±0.25 X.XXX : ±0.15	TEL: 86-769-82167146/879888775 MAIL: srco@qdsrco.com	型号 Model 客户 Customer P/N 盛瑞科技 Part No. Environmental standard RoHS
A.02	变更料号 Tony 2020/05/13	X° : ±2°	核准 Approved Tian 05/13/20 审核 Checked 郑晨 05/13/20 安规 Safety 製圖 Drawn Tong 05/13/20 頁碼 Page 1/1	圖名 Description: Pitch 1.25mm GH Crimp Style Right Angle SMT Connector

THIS DRAWING CONTAINS INFORMATION THAT IS PROPRIETARY TO SHENGRUI INCORPORATED AND SHOULD NOT BE USED WITHOUT WRITTEN PERMISSION.