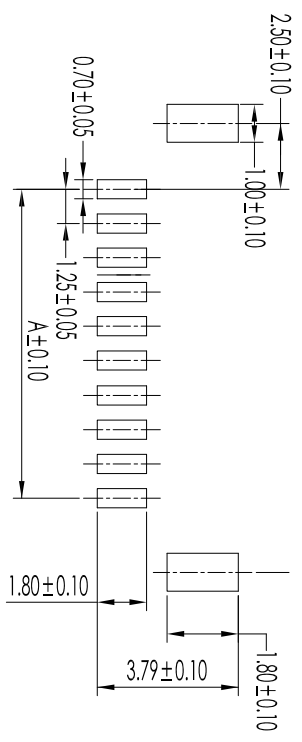
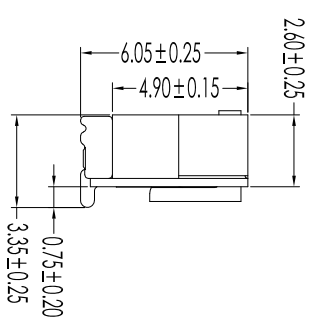
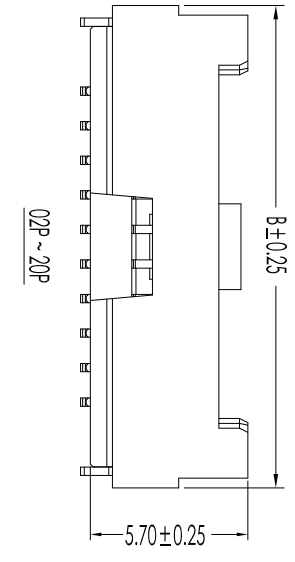
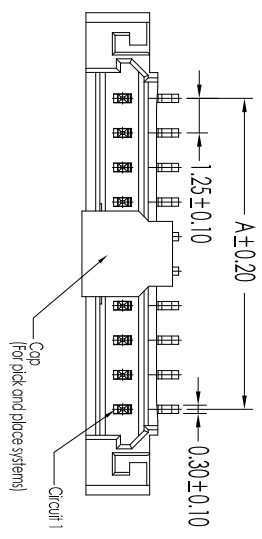
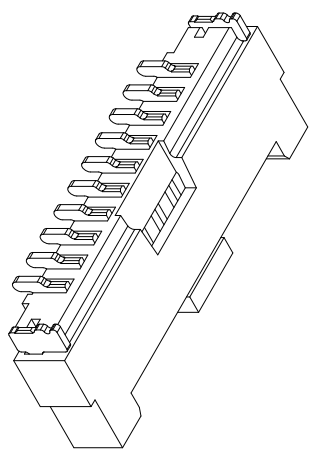
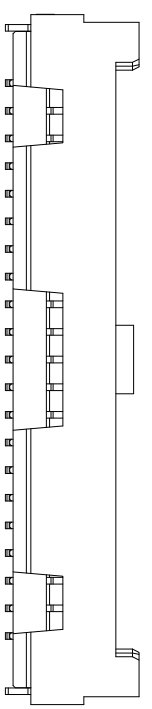


CCTS	DM/A	DM/B
02	1.25	7.45
03	2.50	8.70
04	3.75	9.95
05	5.00	11.20
06	6.25	12.45
07	7.50	13.70
08	8.75	14.95
09	10.00	16.20
10	11.25	17.45
11	12.50	18.70
12	13.75	19.95
13	15.00	21.20
14	16.25	22.45
15	17.50	23.70
20	23.75	29.95
21	25.00	31.20
25	30.00	36.20
30	36.25	42.45



Recommended P.C.B Layout  
[P.C.B Board Tolerance±0.05]

Item	Parts Material	Specification	Qty	Note
①	Insulator	LCP 94V-0/Color: Natural/Beige	×	A12503-HS-301
②	Pin Material	Boss/Fin-plating	×	A12503-TE-302
③	Solder Tabs	Boss/Fin-plating	×	A12503-TB-303

Rev.	修正: Revisions
A.01	A1253WVA-S*XP Tony/2009/07/15
B.01	变更料号 Tony/2020/07/21

Unless otherwise specified  
公差: 0.25, 0.20, ±0.5  
X.XX: ±0.15, 0.20, -0.01, ±0.10  
X.X: ±0.05, 0.05, 0.01, ±0.10  
X.: ±0.2° L: ±0.90, ±0.20

**SRCO** 东莞市盛瑞科技有限公司  
Dongguan Shengrui Technology Co., Ltd.  
TEL: 86-769-8216714/6/87988775 MAIL: srco@dsrco.com

机型 Model: -  
客规 Customer P/N: -  
盛瑞料号 Part No: A-12503CkS-LPBG-12-x  
Environmental standard: RoHS  
Third angle projection

核准 Approved: 07/21/20  
審核 Checked: 郑昊 07/21/20  
安規 Safety: Tong 07/21/20  
製圖 Draw: Tong 07/21/20  
頁碼 Page: 1/1  
圖名 Description: Pitch 1.25mm (DF14) Gimp Style Connector

1	2	3	4	5	6	7
---	---	---	---	---	---	---

THIS DRAWING CONTAINS INFORMATION THAT IS PROPRIETARY TO SHENGRUI TECHNOLOGY CO., LTD. AND SHOULD NOT BE USED WITHOUT WRITTEN PERMISSION.

1	2	3	4	5	6	7
---	---	---	---	---	---	---